

## Specifications



# Blink IQ 200 • Level 2 AC EV Charging Stations

The **Blink IQ 200 Product Family** is a collection of Level 2 AC Electric Vehicle (EV) charging stations. The products offer a modern and stylish appearance, the versatility of multiple charging current options, the ability to be installed in wall-mounted and pedestal-mounted configurations, and a peer-to-peer communications architecture which provides the ability to support a single primary charging station (or Kiosk) and multiple secondary charging stations.

## Features

### Blink IQ 200 Unique Design

- Future-proof design supports charging currents from 12A to 80A
- Intuitive charge connector holster provides protection and storage
- Multi-colored high visibility illuminator indicates charging station's status
- Convenient cable management design supports a long reach and storage between uses
- Selective height design conforms with ADA requirements
- Fee options include time-based, kWh-based, or session-based billing functionality
- Payment methods: RFID, Apple Pay, Google Wallet, and all major credit cards
- Pedestal accessories include single, dual, and triple port options
- OCPP support

### Touch Screen

- Daylight readable 7" color LCD with touch screen and 800 x 480 resolution
- Convenient, user-friendly user interface
- Displays charging station status and transaction details
- Pre-loaded with the Blink commercial user interface

### SAE J1772 Charge Connector

(Standard in the United States)

- Updated 25ft. cable with an ergonomic design
- Prevents accidental disconnection
- Grounded pole – first to make contact, last to break contact
- Designed for more than 10,000 cycles
- Can withstand being driven over by a vehicle
- Safe for use in wet or dry locations
- Compatible with integrated charge connector holster

### Energy Management

- Internal meter to monitor energy and demand usage
- Supports real-time energy usage data evaluation
- Controllable output to support utility demand response requests

### Network, Product, and Customer Support

- Multiple modes of communication, including Wi-Fi and cellular
- Over-the-air firmware management enables remote updates
- Blink Customer Support Center with tracking system
- Blink Network Operations Center actively monitors/manages network
- Smart grid implementation and support for commercial use
- Smart-phone applications for status changes and notifications
- Role-based features to manage permissions and access levels
- Ability to manage multiple chargers with detailed data sets
- Secure, high-availability, enterprise-grade infrastructure
- Geographically separated secondary systems for disaster recovery and management



# Blink IQ 200 • Level 2 AC EV Charging Stations

## Safety and Compliance

- Ground monitoring circuit
- Charge circuit interrupting device (CCID) with automatic test
- Nuisance tripping avoidance and auto re-closure
- Cold load pickup (randomized auto-restart following a power outage)

## Promotion and Advertising

In addition to promoting locations and Blink charging stations to EV drivers across the country via the Blink Mobile App and Blink Map, the Blink IQ 200 charging stations support the opportunity to promote and/or advertise businesses, properties, products, and services.

- Rich multimedia touch screen can be easily customized via Blink Ad Loop functionality
- Station panels can also be customized for branding and advertising and can be updated as necessary
- Rectangular Pedestal

### Smart Charging Station



### Advanced Charging Station



### Kiosk



# Blink IQ 200 Charging Stations Comparison

BLINK IQ 200 PRODUCT SPECIFICATIONS			
MODELS	SMART CHARGING STATION	ADVANCED CHARGING STATION	KIOSK
Model Number	IQW2-80U-W1-N1-N-25	IQW2-80U-M1-R2-N-25	IQW2-00U-M1-R2-N-00
<b>POWER SPECIFICATIONS</b>			
Input/Output Power	19.2kW Max., <10W Standby		19.2W Max. Input Only, <10W Standby
Input Amperage	80A Continuous		0.08A Continuous Input Only
Output Power (kW)	2.9kW, 3.8kW, 7.7kW, 9.6kW, 15.4kW, 17.3kW, 19.2kW		Not Applicable
Output Amperage (A)	12A, 16A, 24A, 32A, 40A, 64A, 72A, 80A		Not Applicable
Circuit Breaker Options (A)	15A, 20A, 30A, 40A, 50A, 80A, 90A, 100A		10A
Input/Output Nominal Voltage	208VAC/240VAC		120/208/240VAC Input
Input / Output Voltage Range	180VAC to 264VAC		90 to 132VAC Input; 180 to 264VAC Input
Input / Output Frequency	60Hz		
Input Wiring Type	Hardwired		
Input Wiring Scheme	L1, L2, GND		L1, N, GND or L1, L2, GND
Cold-Load	Pickup Randomized delay between 120 and 720 seconds before charge resumes after a power failure.		Not Applicable
Power Measurement Accuracy	Embedded meter with a $\pm 1\%$ accuracy at the nominal input.		Not Applicable
Surge Protection	Up to 6kV at 3,000A		
<b>FUNCTIONAL SPECIFICATIONS</b>			
Charge Connector Type	SAE J1772		Not Applicable
Charge Cable Length	25 ft.		Not Applicable
Demand Response	Yes <sup>2</sup>		Not Applicable
Status Indicator	LED and Audio		
User Interface	None <sup>1</sup>	LCD, 7", Color, 800x480, w/Touch Panel	
Access Control	None <sup>1</sup>	Contactless Reader: RFID Cards: ISO/IEC 14443A/B, ISO/IEC 15693, MIFARE Plus, HID iCLASS, NEMA Smart Credit Cards: Visa, Master Card, Discover, American Express NFC <sup>2</sup> : ISO 18092, Apple Pay, Google Wallet	
<b>NETWORK SPECIFICATIONS</b>			
Local Area Network (LAN)	2.4GHz Wi-Fi (802.11 b/g/n)		
Wide Area Network (WAN)	None	Cellular (3G GSM, 3G CDMA)	
Network Interface	OCPP v1.5, OCPP v1.6		
Mounting Type	Pedestal or Wall Mount		
<b>SAFETY &amp; COMPLIANCE SPECIFICATIONS</b>			
Ground Fault Detection	CCID20, 20mA per UL 2231, Automatic Reset Feature and Manual Reset Feature		
Ground Monitor	Ground Monitor per UL 2231		
Safety Compliance	UL and cUL, NEC Article 625, RoHS		
Protection	Over-Voltage Protection (OVP), Under-Voltage Protection (UVP), Over-Current Protection (OCP), Over-Temp Protection (OTP), Short-Circuit Protection		
EMC Compliance	FCC Part 15		
ADA Compliance	Yes		
Energy Star Certified	Yes		Not Applicable
<b>OPERATIONAL SPECIFICATIONS</b>			
Enclosure Rating	NEMA Type 3R Indoor/Outdoor		
Operating Temperature	-30°C to +50°C (-22°F to +122°F)		
Storage Temperature	-40°C to +80°C (-40°F to +176°F)		
Operating Humidity	0 to 95% Relative Humidity, Non-Condensing		
Charger Dimensions	13.95"H x 10.65"W x 5.23"D		
Charger Weight (Unpackaged)	TBD		
Charger Weight (Packaged)	TBD		

Blink Charging Co. reserves the right to alter product offerings and specifications at any time without notice, and is not responsible for typographical or graphical errors that may appear in this document.

<sup>1</sup>If applicable, an adjacent primary Advanced Charging Station or Kiosk can provide access control for up to 20 secondary Smart Charging Stations.

<sup>2</sup>May not be included in the initial product offering.



# Blink IQ 200 • Pedestal Specifications

BLINK IQ 200 PEDESTAL SPECIFICATIONS				
MODELS	RECTANGLE, SINGLE	RECTANGLE, DUAL	TRIANGLE, DUAL	TRIANGLE, TRIPLE
Model Number	01-0210	01-0211	01-0212	01-0213
Number of Supported Charging Stations	1	2	2	3
User Interface Height	48"	48"	48"	48"
Pedestal Dimensions	56.04" H × 13.58" W × 4.28" D	56.04" H × 13.58" W × 4.28" D	59.00" H × 12.50" W × 11.19" D	59.00" H × 12.50" W × 11.19" D
Pedestal Weight (unpackaged)	TBD	TBD	TBD	TBD
Pedestal Weight (packaged)	TBD	TBD	TBD	TBD

**Rectangular Pedestal  
Single or Dual**

**Triangular Pedestal  
Dual or Triple**

**Kiosk**



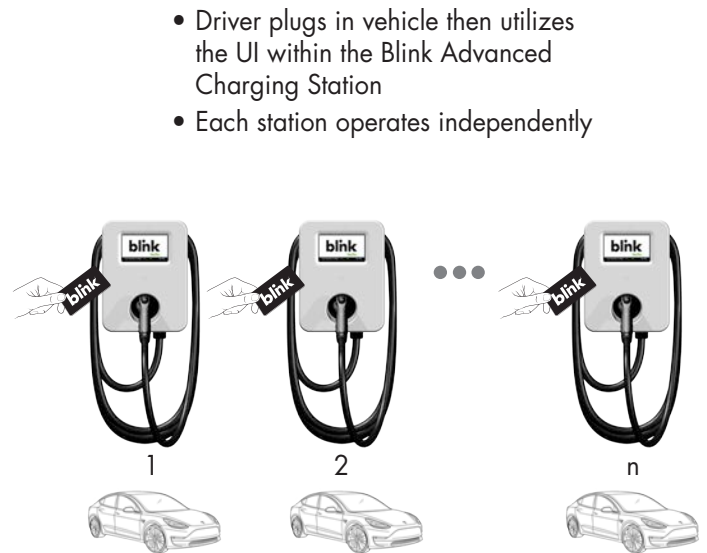
# Blink IQ 200 • UI and Network Architecture Options

## User Interface Options

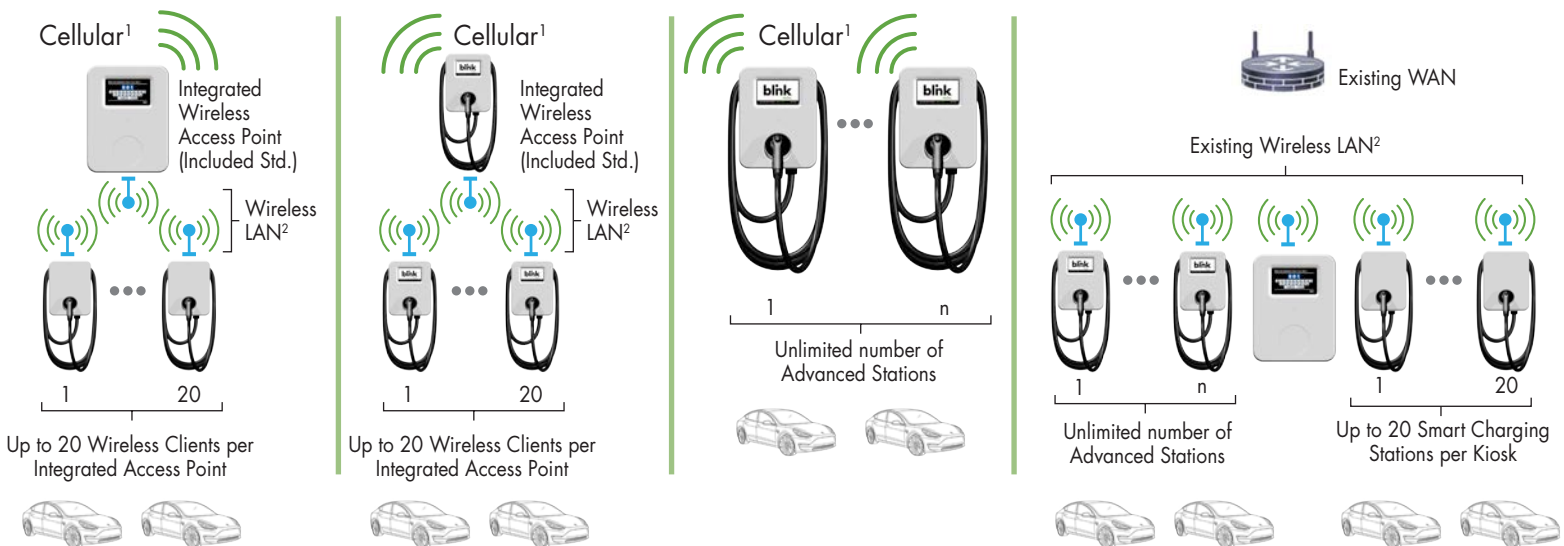
### Kiosk



### Standalone



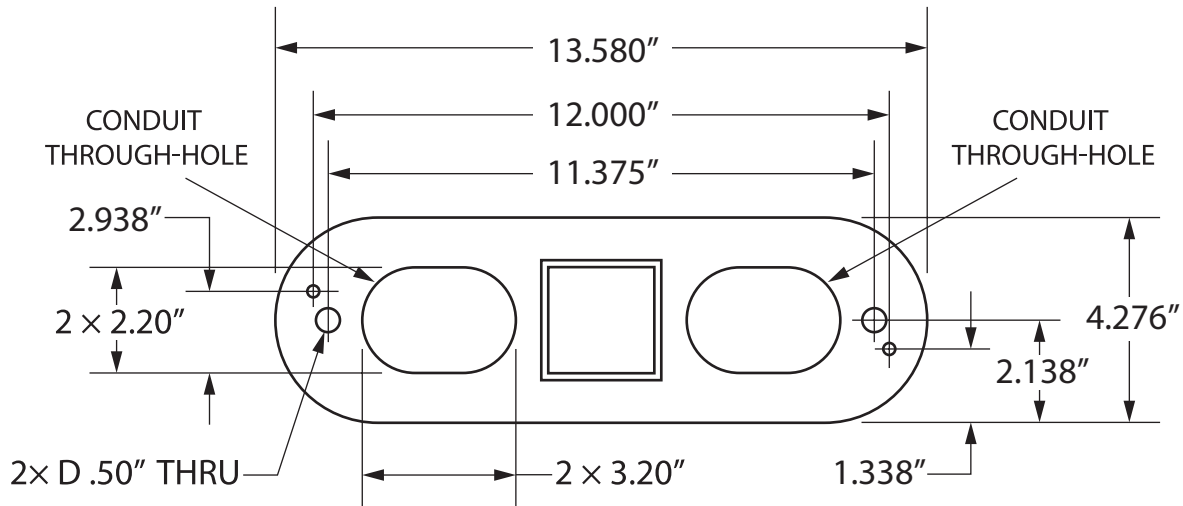
## Network Architecture Options



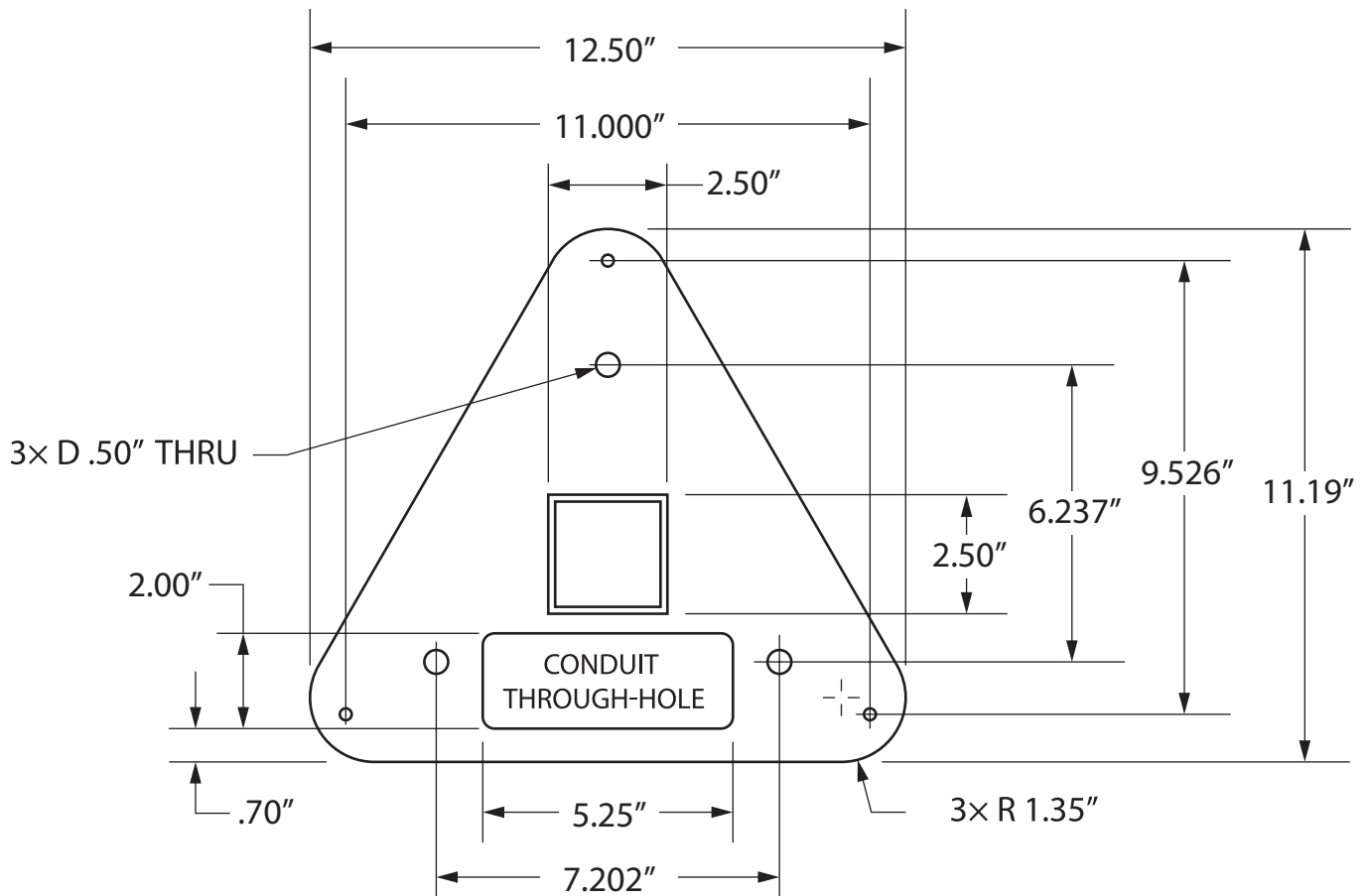
<sup>1</sup>Cellular 3G GSM / CDMA Capable  
<sup>2</sup>Integrated Wireless LAN is 802.11 b/g/n capable



# Blink IQ 200 • Pedestal Base Hole Pattern



**Rectangular Pedestal Base Hole Pattern**



**Triangular Pedestal Base Hole Pattern**



# Blink IQ 200 • Pre-Installation Guide

## ELECTRICAL WIRING SPECIFICATIONS

Max. Continuous Current	Typical Circuit Breaker <sup>3</sup>	Typical Wire Specs <sup>3</sup>	Typical Conduit Size <sup>3</sup>	Blink IQ Conduit Size	Notes/Assumptions
8A	10A	Two #10AWG Wires (Line) One #12AW Wire (Ground)	1/2"	1"	≤ 150 ft. One-way Distance ≤ 3% Voltage Drop
12A	15A	Two #10AWG Wires (Line) One #12AW Wire (Ground)	1/2"	1"	≤ 150 ft. One-way Distance ≤ 3% Voltage Drop
16A	20A	Two #10AWG Wires (Line) One #8AW Wire (Ground)	3/4"	1"	≤ 150 ft. One-way Distance ≤ 3% Voltage Drop
24A	30A	Two #10AWG Wires (Line) One #10AW Wire (Ground)	3/4"	1"	≤ 150 ft. One-way Distance ≤ 3% Voltage Drop
32A	40A	Two #8AWG Wires (Line) One #10AW Wire (Ground)	3/4"	1"	≤ 150 ft. One-way Distance ≤ 3% Voltage Drop
40A	50A	Two #6AWG Wires (Line) One #8AW Wire (Ground)	3/4"	1"	≤ 150 ft. One-way Distance ≤ 3% Voltage Drop
64A	80A	Two #4AWG Wires (Line) One #8AW Wire (Ground)	1"	1"	≤ 150 ft. One-way Distance ≤ 3% Voltage Drop
72A	90A	Two #3AWG Wires (Line) One #8AW Wire (Ground)	1"	1"	≤ 150 ft. One-way Distance ≤ 3% Voltage Drop
80A	100A	Two #2AWG Wires (Line) One #8AW Wire (Ground)	1"	1"	≤ 150 ft. One-way Distance ≤ 3% Voltage Drop

<sup>3</sup>Consult with a licensed contractor, licensed electrician, or trained installation expert to ensure compliance with local building codes and safety standards.

